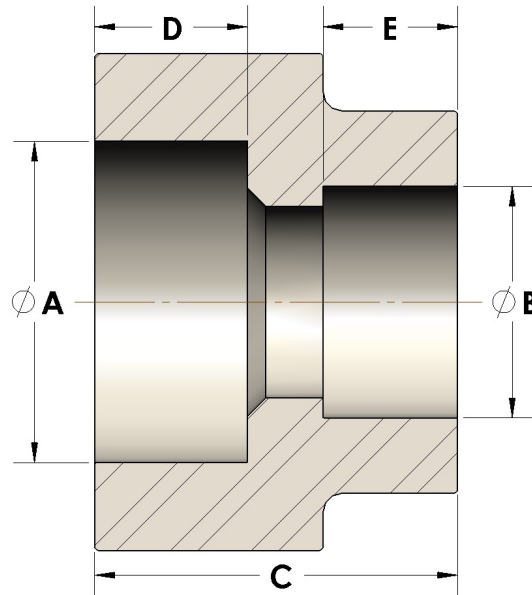




Product Category  
Part Description

107-1-08-CUNI  
Direct Socketweld/Braze Coupling (Pipe X Tube)



## DIMENSIONS

A	0.545
B	0.50
C	0.88
D	0.380

## GENERAL

Pressure Rating	4500 PSI
Fitting Material	Copper Nickel 70/30, MIL-C--15726F, UNS C71500

The complete catalog contents must be reviewed to ensure that the system designer and user make a safe product selection. When selecting products, the total system design must be considered to ensure safe, trouble-free performance. Function, material compatibility, adequate ratings, proper installation, operation, and maintenance are the responsibilities of the system designer and user. Caution: Do not mix or interchange valve components with those of other manufacturers.