

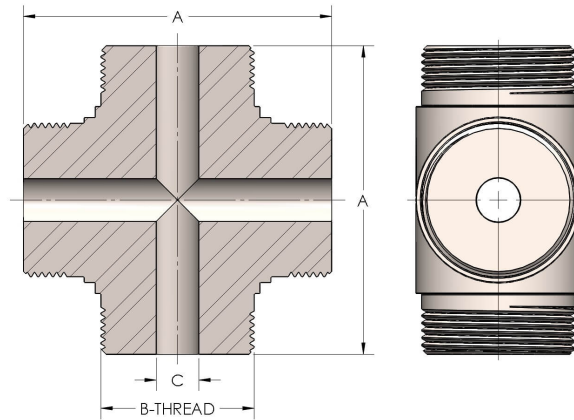


Product Category

43-4-S

Part Description

Cross



DIMENSIONS

| | |
|----------|---------------|
| A | 3.750 |
| B-THREAD | 2.000" - 12UN |
| C | 0.63 |
| D | 1.880 |

GENERAL

| | |
|----------------------|----------------------------------|
| Pressure Rating | 6000 PSI |
| Threadpiece Material | Steel, ASTM A216-WCB, UNS J03002 |

The complete catalog contents must be reviewed to ensure that the system designer and user make a safe product selection. When selecting products, the total system design must be considered to ensure safe, trouble-free performance. Function, material compatibility, adequate ratings, proper installation, operation, and maintenance are the responsibilities of the system designer and user. Caution: Do not mix or interchange valve components with those of other manufacturers.