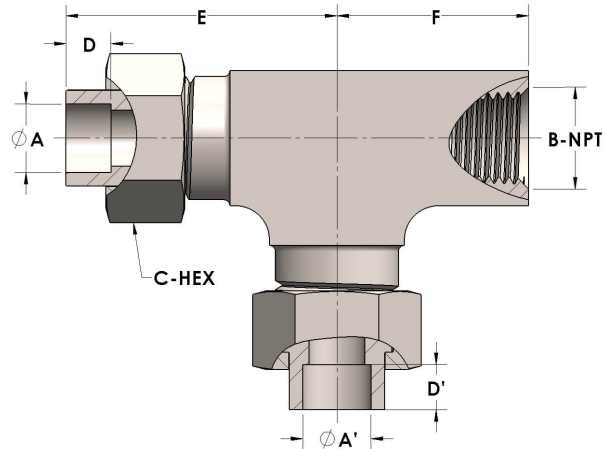




Product Category  
Part Description

H814-12-12-12-S  
Tube to Female Pipe Thread Run Tee Assembly



## DIMENSIONS

|       |           |
|-------|-----------|
| A     | 0.750     |
| A"    | 0.750     |
| B-NPT | 3/4" - 14 |
| C-HEX | 1.38      |
| D     | 0.440     |
| D"    | 0.440     |
| E     | 2.25      |
| F     | 1.56      |

## GENERAL

|                   |  |
|-------------------|--|
| Pressure Rating   | 4500 PSI   |
| Assembly Material | Carbon Steel, ASTM A108                            |
| O-Ring Material   | Viton® Fluorocarbon Type 1, Class 2 (90 durometer) |
| Connection 1 Type | Female Tube Socket                                 |
| Connection 1 Size | 3/4" Tube O.D. (-12)                               |
| Connection 3 Type | Female Tube Socket                                 |
| Connection 3 Size | 3/4" Tube O.D. (-12)                               |

The complete catalog contents must be reviewed to ensure that the system designer and user make a safe product selection. When selecting products, the total system design must be considered to ensure safe, trouble-free performance. Function, material compatibility, adequate ratings, proper installation, operation, and maintenance are the responsibilities of the system designer and user. Caution: Do not mix or interchange valve components with those of other manufacturers.