

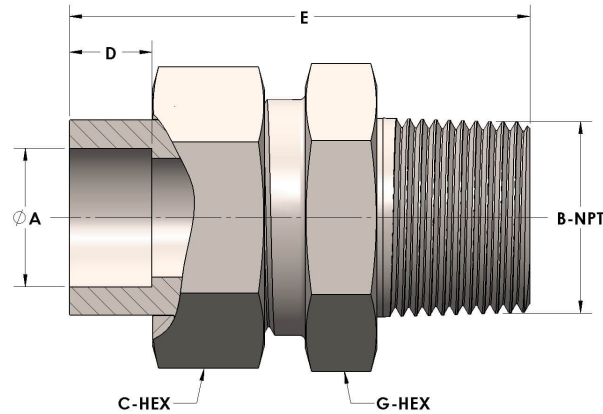


Product Category

H854-12-16-M

Part Description

Tube to Male Pipe Thread Union Assembly



## DIMENSIONS

|       |               |
|-------|---------------|
| A     | 0.750         |
| B-NPT | 1.000" - 11.5 |
| C-HEX | 1.63          |
| D     | 0.440         |
| E     | 2.75          |
| G-HEX | 1.63          |

## GENERAL

|                   |  |
|-------------------|--|
| Pressure Rating   | 6000 PSI   |
| Assembly Material | Monel®, ASTM B164, UNS N04405                      |
| O-Ring Material   | Viton® Fluorocarbon Type 1, Class 2 (90 durometer) |
| Connection 1 Type | Female Tube Socket                                 |
| Connection 1 Size | 3/4" Tube O.D. (-12)                               |
| Connection 2 Type | Male Pipe Thread                                   |
| Connection 2 Size | 1" NPT (-16)                                       |

The complete catalog contents must be reviewed to ensure that the system designer and user make a safe product selection. When selecting products, the total system design must be considered to ensure safe, trouble-free performance. Function, material compatibility, adequate ratings, proper installation, operation, and maintenance are the responsibilities of the system designer and user. Caution: Do not mix or interchange valve components with those of other manufacturers.