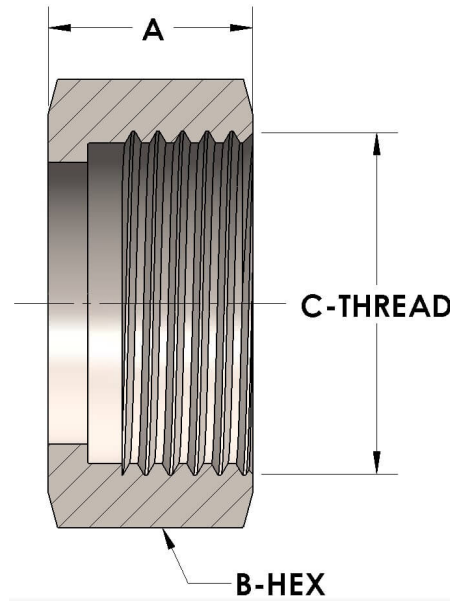




Product Category
Part Description

H850N-16-M
Union Nut



DIMENSIONS

| | |
|----------|----------------|
| A | 0.750 |
| B-HEX | 1.63 |
| C-THREAD | 1.500" - 12UNF |

GENERAL

| | |
|--------------------|-------------------------------|
| Pressure Rating | 6000 PSI |
| Union Nut Material | Monel®, ASTM B164, UNS N04405 |

The complete catalog contents must be reviewed to ensure that the system designer and user make a safe product selection. When selecting products, the total system design must be considered to ensure safe, trouble-free performance. Function, material compatibility, adequate ratings, proper installation, operation, and maintenance are the responsibilities of the system designer and user. Caution: Do not mix or interchange valve components with those of other manufacturers.