

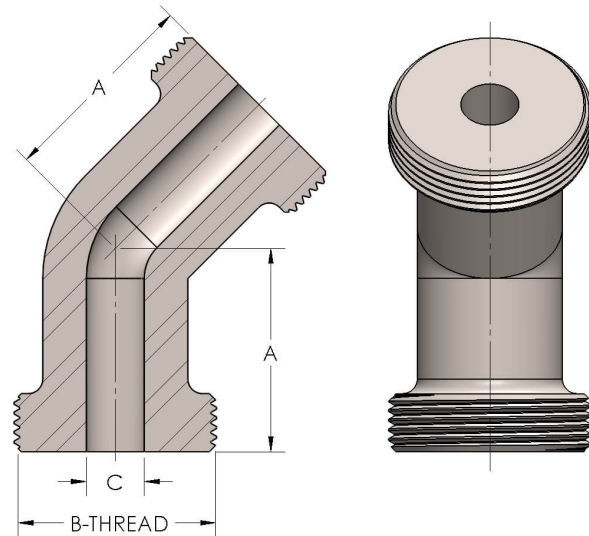


Product Category

Part Description

42-8-M

Elbow 45°



DIMENSIONS

| | |
|----------|---------------|
| A | 3.250 |
| B-THREAD | 3.750" - 12UN |
| C | 1.75 |

GENERAL

| | |
|----------------------|-------------------|
| Pressure Rating | 6000 PSI |
| Threadpiece Material | Monel®, ASTM A494 |

The complete catalog contents must be reviewed to ensure that the system designer and user make a safe product selection. When selecting products, the total system design must be considered to ensure safe, trouble-free performance. Function, material compatibility, adequate ratings, proper installation, operation, and maintenance are the responsibilities of the system designer and user. Caution: Do not mix or interchange valve components with those of other manufacturers.