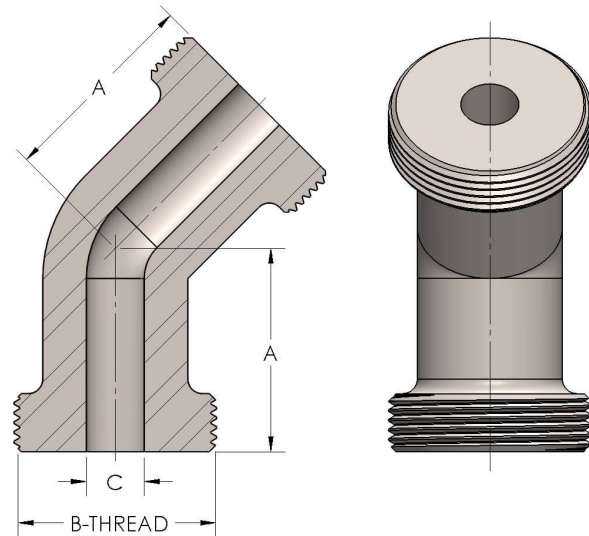




Product Category
Part Description

42-0-M
Elbow 45°



DIMENSIONS

A	1.130
B-THREAD	1.000" - 14UNS
C	0.22

GENERAL

Pressure Rating	6000 PSI
Threadpiece Material	Monel®, ASTM A494

The complete catalog contents must be reviewed to ensure that the system designer and user make a safe product selection. When selecting products, the total system design must be considered to ensure safe, trouble-free performance. Function, material compatibility, adequate ratings, proper installation, operation, and maintenance are the responsibilities of the system designer and user. Caution: Do not mix or interchange valve components with those of other manufacturers.