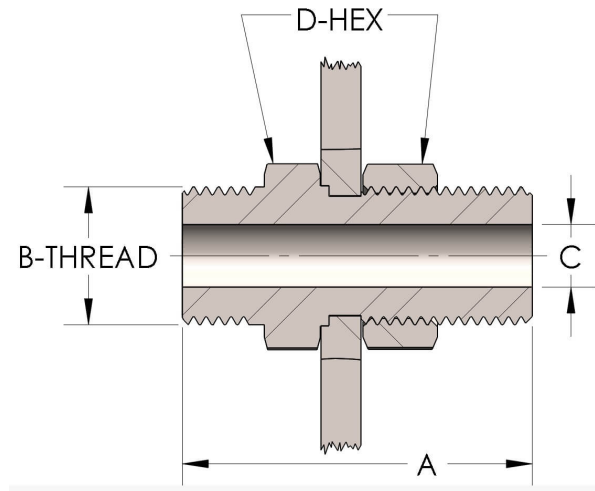




Product Category
Part Description

89T-7-SS316L
Bulkhead



DIMENSIONS

| | |
|----------|----------------|
| A | 3.440 |
| B-THREAD | 3.063" - 12UNS |
| C | 1.38 |
| D-HEX | 3.63 |

GENERAL

| | |
|----------------------|---|
| Pressure Rating | 6000 PSI |
| Threadpiece Material | 316/L Stainless Steel, ASTM A276, UNS S31600/03 |

cpvmfg.com | 484.731.4010

The complete catalog contents must be reviewed to ensure that the system designer and user make a safe product selection. When selecting products, the total system design must be considered to ensure safe, trouble-free performance. Function, material compatibility, adequate ratings, proper installation, operation, and maintenance are the responsibilities of the system designer and user. Caution: Do not mix or interchange valve components with those of other manufacturers.