

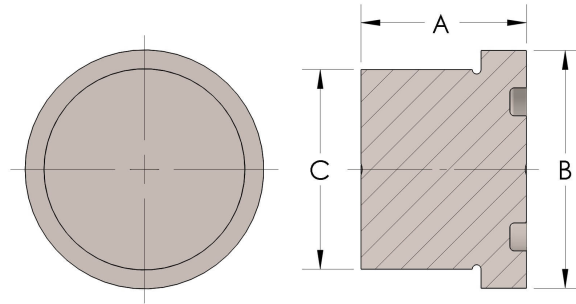


Product Category

Part Description

104R-3-BR

Blank



## DIMENSIONS

|   |       |
|---|-------|
| A | 1.130 |
| B | 1.63  |
| C | 1.37  |

## GENERAL

|                    |                                                    |
|--------------------|----------------------------------------------------|
| Pressure Rating    | 6000 PSI                                           |
| Tailpiece Material | Naval Brass, ASTM B21, UNS C46400                  |
| O-Ring Material    | Viton® Fluorocarbon Type 1, Class 2 (90 durometer) |

cpvmfg.com | 484.731.4010

The complete catalog contents must be reviewed to ensure that the system designer and user make a safe product selection. When selecting products, the total system design must be considered to ensure safe, trouble-free performance. Function, material compatibility, adequate ratings, proper installation, operation, and maintenance are the responsibilities of the system designer and user. Caution: Do not mix or interchange valve components with those of other manufacturers.