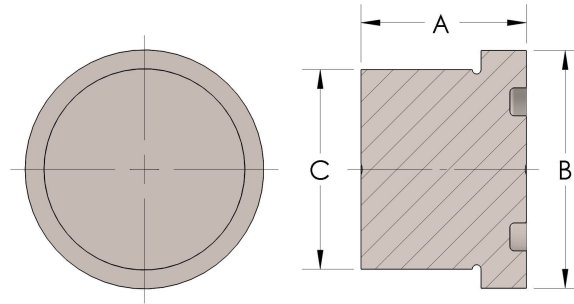




Product Category
Part Description

104R-9-S
Blank



DIMENSIONS

| | |
|---|-------|
| A | 2.000 |
| B | 4.31 |
| C | 3.94 |

GENERAL

| | |
|--------------------|--|
| Pressure Rating | 6000 PSI |
| Tailpiece Material | Carbon Steel, ASTM A108 |
| O-Ring Material | Viton® Fluorocarbon Type 1, Class 2 (90 durometer) |

cpvmfg.com | 484.731.4010

The complete catalog contents must be reviewed to ensure that the system designer and user make a safe product selection. When selecting products, the total system design must be considered to ensure safe, trouble-free performance. Function, material compatibility, adequate ratings, proper installation, operation, and maintenance are the responsibilities of the system designer and user. Caution: Do not mix or interchange valve components with those of other manufacturers.