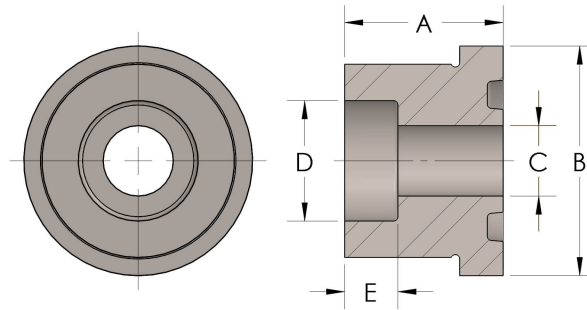




Product Category  
Part Description

51R-2-CUNI  
Socketweld Pipe



## DIMENSIONS

A	1.130
B	1.25
C	0.44
CRN	0A16860.2
D	0.690
E	0.38

## GENERAL

Pressure Rating	3000 PSI
Tailpiece Material	Copper Nickel 70/30, MIL-C--15726F, UNS C71500
O-Ring Material	Viton® Fluorocarbon Type 1, Class 2 (90 durometer)
CRN	0A16860.2

The complete catalog contents must be reviewed to ensure that the system designer and user make a safe product selection. When selecting products, the total system design must be considered to ensure safe, trouble-free performance. Function, material compatibility, adequate ratings, proper installation, operation, and maintenance are the responsibilities of the system designer and user. Caution: Do not mix or interchange valve components with those of other manufacturers.