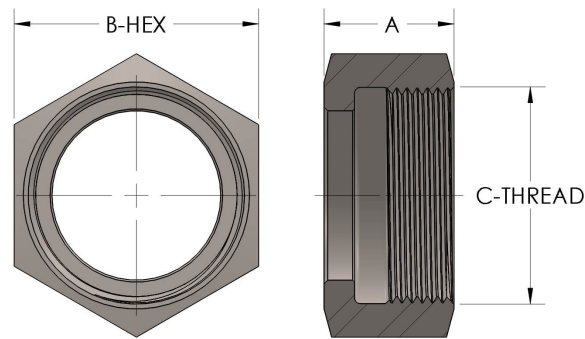




Product Category
Part Description

884P8-6-K-MONEL
Union Nut IAW NSSC 803-1385884



DIMENSIONS

| | |
|----------|---------------|
| A | 1.250 |
| B-HEX | 3.25 |
| CRN | 0A16860.2 |
| C-THREAD | 2.750" - 12UN |

GENERAL

| | |
|--------------------|---------------------|
| Pressure Rating | 6000 PSI |
| Union Nut Material | K-MONEL, UNS N05500 |
| CRN | 0A16860.2 |

The complete catalog contents must be reviewed to ensure that the system designer and user make a safe product selection. When selecting products, the total system design must be considered to ensure safe, trouble-free performance. Function, material compatibility, adequate ratings, proper installation, operation, and maintenance are the responsibilities of the system designer and user. Caution: Do not mix or interchange valve components with those of other manufacturers.