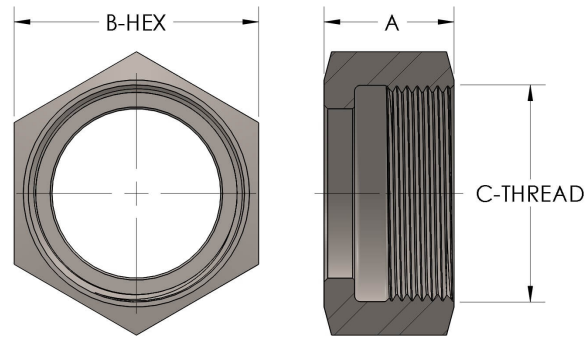




**Product Category**  
**Part Description**

884P8-9-K-MONEL  
Union Nut IAW NSSC 803-1385884



## DIMENSIONS

<b>A</b>	1.880
<b>B-HEX</b>	5.13
<b>CRN</b>	0A16860.2
<b>C-THREAD</b>	4.500" - 12UN

## GENERAL

<b>Pressure Rating</b>	6000 PSI
<b>Union Nut Material</b>	K-MONEL, UNS N05500
<b>CRN</b>	0A16860.2

cpvmfg.com | 484.731.4010

The complete catalog contents must be reviewed to ensure that the system designer and user make a safe product selection. When selecting products, the total system design must be considered to ensure safe, trouble-free performance. Function, material compatibility, adequate ratings, proper installation, operation, and maintenance are the responsibilities of the system designer and user. Caution: Do not mix or interchange valve components with those of other manufacturers.