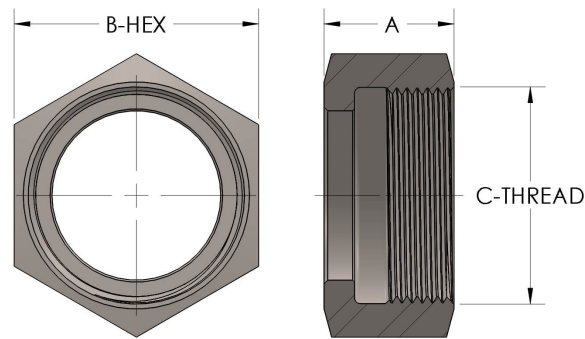




Product Category  
Part Description

884P8-0-NAB  
Union Nut IAW NSSC 803-1385884



## DIMENSIONS

A	0.750
B-HEX	1.19
CRN	0A16860.2
C-THREAD	1.000" - 14UNS

## GENERAL

Pressure Rating	6000 PSI
Union Nut Material	Nickel Aluminum Bronze, ASTM B150, UNS C63200
CRN	0A16860.2

The complete catalog contents must be reviewed to ensure that the system designer and user make a safe product selection. When selecting products, the total system design must be considered to ensure safe, trouble-free performance. Function, material compatibility, adequate ratings, proper installation, operation, and maintenance are the responsibilities of the system designer and user. Caution: Do not mix or interchange valve components with those of other manufacturers.