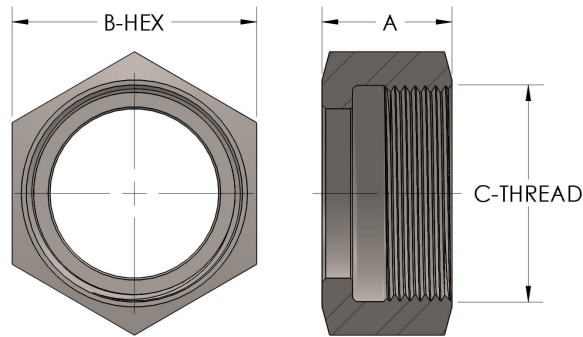




Product Category
Part Description

884P8-5-SS316L
Union Nut IAW NSSC 803-1385884



DIMENSIONS

A	1.250
B-HEX	2.75
CRN	0A16860.2
C-THREAD	2.313" - 12UNS

GENERAL

Pressure Rating	6000 PSI
Union Nut Material	316/L Stainless Steel, ASTM A276, UNS S31600/03 & 316 Stainless Steel, ASTM A351, UNS J92900
CRN	0A16860.2

cpvmfg.com | 484.731.4010

The complete catalog contents must be reviewed to ensure that the system designer and user make a safe product selection. When selecting products, the total system design must be considered to ensure safe, trouble-free performance. Function, material compatibility, adequate ratings, proper installation, operation, and maintenance are the responsibilities of the system designer and user. Caution: Do not mix or interchange valve components with those of other manufacturers.