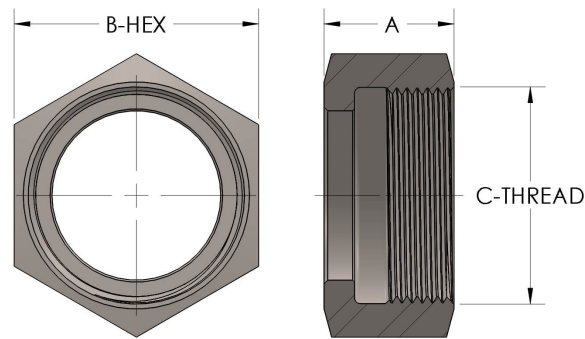




**Product Category**  
**Part Description**

884P8-7-SS316L  
Union Nut IAW NSSC 803-1385884



## DIMENSIONS

|                 |                |
|-----------------|----------------|
| <b>A</b>        | 1.500          |
| <b>B-HEX</b>    | 3.75           |
| <b>CRN</b>      | 0A16860.2      |
| <b>C-THREAD</b> | 3.063" - 12UNS |

## GENERAL

|                           |   |
|---------------------------|---|
| <b>Pressure Rating</b>    | 6000 PSI  |
| <b>Union Nut Material</b> | 316/L Stainless Steel, ASTM A276, UNS S31600/03 |
| <b>CRN</b>                | 0A16860.2                                       |

The complete catalog contents must be reviewed to ensure that the system designer and user make a safe product selection. When selecting products, the total system design must be considered to ensure safe, trouble-free performance. Function, material compatibility, adequate ratings, proper installation, operation, and maintenance are the responsibilities of the system designer and user. Caution: Do not mix or interchange valve components with those of other manufacturers.