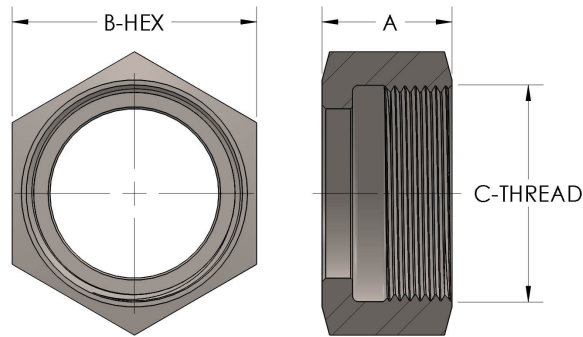




Product Category  
Part Description

50N-1-S  
Union Nut



## DIMENSIONS

A	1.000
B-HEX	1.38
C-THREAD	1.188" - 12UN

## GENERAL

Pressure Rating	6000 PSI
Union Nut Material	Carbon Steel, ASTM A108

cpvmfg.com | 484.731.4010

The complete catalog contents must be reviewed to ensure that the system designer and user make a safe product selection. When selecting products, the total system design must be considered to ensure safe, trouble-free performance. Function, material compatibility, adequate ratings, proper installation, operation, and maintenance are the responsibilities of the system designer and user. Caution: Do not mix or interchange valve components with those of other manufacturers.