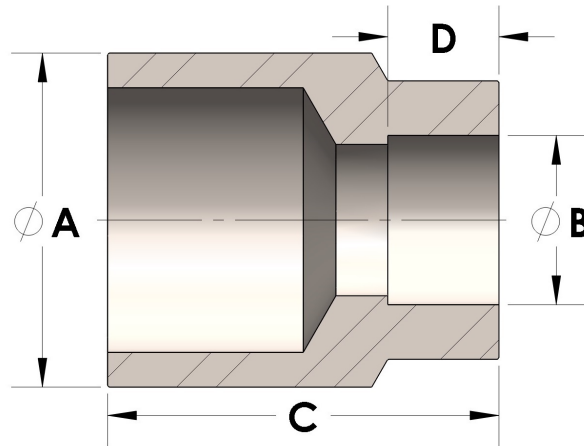




Product Category  
Part Description

57-5-3-CUNI  
Direct Weld/Braze Insert (Male Pipe X Pipe SW)



## DIMENSIONS

A	1.315
B	0.86
C	1.75
D	0.500

## GENERAL

Pressure Rating	4500 PSI
Fitting Material	Copper Nickel 70/30, MIL-C--15726F, UNS C71500

The complete catalog contents must be reviewed to ensure that the system designer and user make a safe product selection. When selecting products, the total system design must be considered to ensure safe, trouble-free performance. Function, material compatibility, adequate ratings, proper installation, operation, and maintenance are the responsibilities of the system designer and user. Caution: Do not mix or interchange valve components with those of other manufacturers.