



Product Category

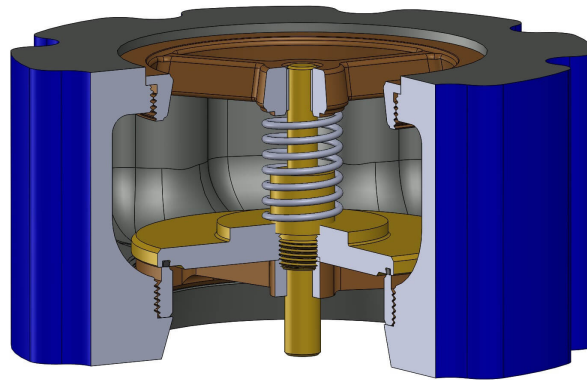
113D-B-B-R

Product Line

Steel Flanged Check Valves (110D, 111D, 113D, 114D, 115D)

Part Description

CLASS 600 Flange Style Silent Check Valve with Steel Body and Bronze Trim



## DIMENSIONS

Face to Face	2.88
Dia. of Bolt Circle	5.88
Dia. of Flange	7.50
No. of Studs	8
Dia. of Studs	0.75
Length of Studs	8.50
Weight (lbs.)	12

## GENERAL

Pressure Rating	up to 1500 PSI
Temperature Range	-30°F to 250°F (-34°C to 121°C)
Standard Soft Goods	Buna-N O-Rings
Cartridge Type	Check
Connection Type	ANSI B16.5 Flange
Connection Size	2.5"
Body Material	Carbon Steel, ASTM A216, WCB, UNS J03002

## OPTIONS

Port & Vent Options	[-DP] Drain Plug Above Seat (3/8" NPT)
---------------------	--

The complete catalog contents must be reviewed to ensure that the system designer and user make a safe product selection. When selecting products, the total system design must be considered to ensure safe, trouble-free performance. Function, material compatibility, adequate ratings, proper installation, operation, and maintenance are the responsibilities of the system designer and user. Caution: Do not mix or interchange valve components with those of other manufacturers.