

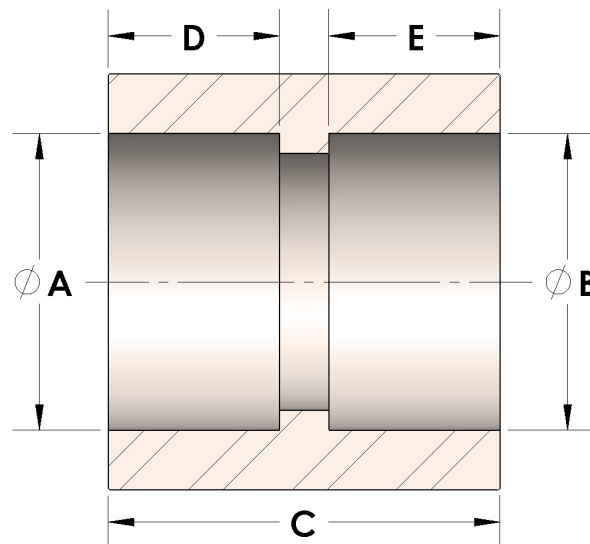


Product Category

100-3-2-S

Part Description

Direct Socketweld/Braze Coupling (Pipe)



DIMENSIONS

A	0.855
B	0.69
C	1.38
D	0.500
E	0.44

GENERAL

Pressure Rating	6000 PSI
Fitting Material	Carbon Steel, ASTM A108

The complete catalog contents must be reviewed to ensure that the system designer and user make a safe product selection. When selecting products, the total system design must be considered to ensure safe, trouble-free performance. Function, material compatibility, adequate ratings, proper installation, operation, and maintenance are the responsibilities of the system designer and user. Caution: Do not mix or interchange valve components with those of other manufacturers.