

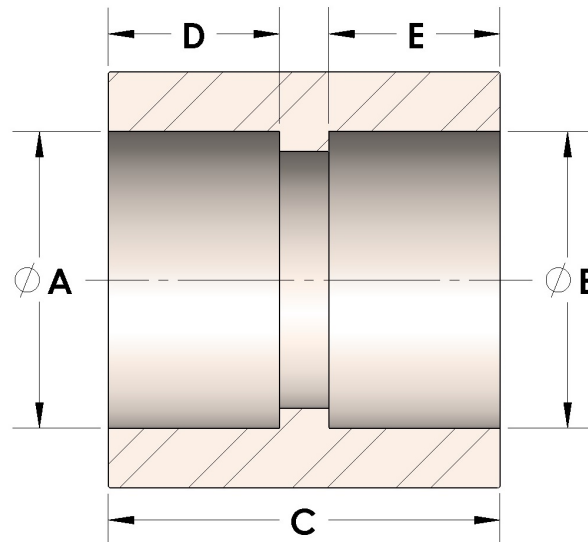


Product Category

Part Description

100-6-CUNI

Direct Socketweld/Braze Coupling (Pipe)



## DIMENSIONS

A	1.675
B	1.68
C	1.50
D	0.500
E	0.50

## GENERAL

Pressure Rating	3000 PSI
Fitting Material	Copper Nickel 70/30, MIL-C--15726F, UNS C71500

The complete catalog contents must be reviewed to ensure that the system designer and user make a safe product selection. When selecting products, the total system design must be considered to ensure safe, trouble-free performance. Function, material compatibility, adequate ratings, proper installation, operation, and maintenance are the responsibilities of the system designer and user. Caution: Do not mix or interchange valve components with those of other manufacturers.