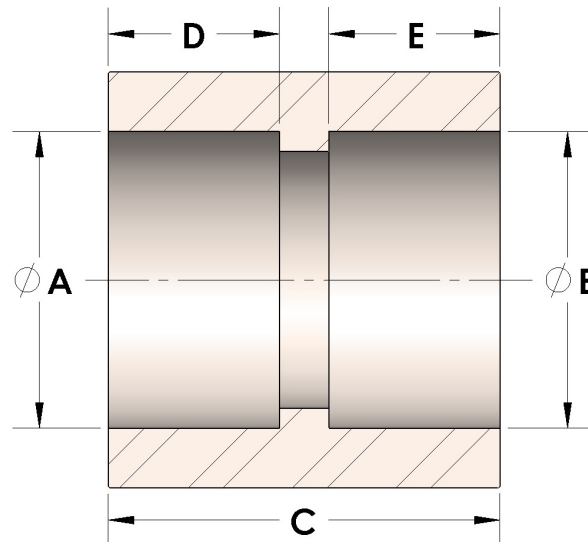




Product Category  
Part Description

100-7-S  
Direct Socketweld/Braze Coupling (Pipe)



## DIMENSIONS

A	1.915
B	1.92
C	1.50
D	0.500
E	0.50

## GENERAL

Pressure Rating	4500 PSI
Fitting Material	Carbon Steel, ASTM A108

The complete catalog contents must be reviewed to ensure that the system designer and user make a safe product selection. When selecting products, the total system design must be considered to ensure safe, trouble-free performance. Function, material compatibility, adequate ratings, proper installation, operation, and maintenance are the responsibilities of the system designer and user. Caution: Do not mix or interchange valve components with those of other manufacturers.