

Product Category

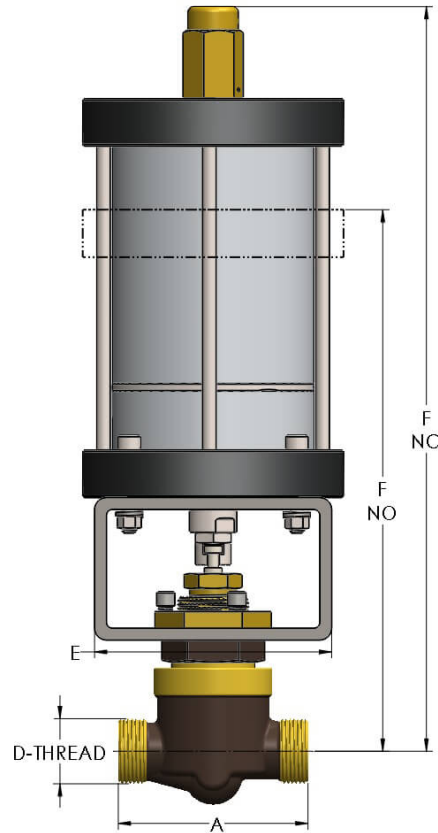
1380-0-NC

Product Line

FloMaster® Actuated O-SEAL® Shutoff Valve (1300 Series)

Part Description

1/8" Globe Shutoff Actuated Valve, O-SEAL® Ends, Normally Closed



DIMENSIONS

| | |
|---------------------|--------------|
| Port Dia. | 0.22 |
| A | 2.750 |
| CRN | OC17716.2 |
| D-THREAD | 1.000"-14UNS |
| E | 4.00 |
| F (Normally Closed) | 11.5 |



GENERAL

| | |
|----------------------------|---|
| Pressure Rating | 6000 PSI |
| Temperature Range | -15°F to 400°F (-26°C to 204°C) |
| Standard Soft Goods | [-G] Polyurethane® Packing and Viton® O-Rings |
| Cartridge Type | Shutoff |
| Connection Type | O-SEAL® Union Thread |
| Connection Size | 1/8" |
| Body Material | Nickel Aluminum Bronze, ASTM B148, UNS C95800 |
| Bonnet Material | Nickel Aluminum Bronze, ASTM B150, UNS C63200 |
| CRN | OC17716.2 |

OPTIONS

| | |
|--------------------------------|--|
| [-VC] Vacuum Service | Option to add additional softgoods for internal vacuum service. |
| Port & Vent Options | [-PA] Port Above Seat (1/8" NPT), [-PB] Port Below Seat (1/8" NPT), '[-VA] Vent Above Seat (3/8"-24 SAE), [-VB] Vent Below Seat (3/8"-24 SAE), |
| Optional Soft Goods | [-B] Polyurethane® Packing and Buna-N O-Rings, [-C] Viton® Packing & O-Rings, [-D] EPDM Packing & O-Rings |