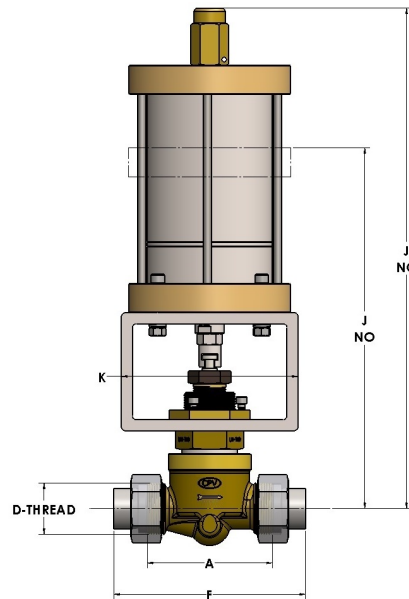




**Product Category**  
**Product Line**  
**Part Description**

1380-1-P-OXNB-VC-NC  
FloMaster® Actuated OXNB Shutoff Valve (1300 Series)  
1/4" Globe Shutoff Oxygen Actuated Valve, Normally Closed



## DIMENSIONS

Port Dia.	0.31
A	3.380
CRN	0C16868.2
D-THREAD	1.188"-12UN
F	5.50
J (Normally Closed)	13.44
K	4

## GENERAL

Pressure Rating	4500 PSI
Temperature Range	-15°F to 400°F (-26°C to 204°C)
Standard Soft Goods	[-C] Viton® Packing & O-Rings
Cartridge Type	Shutoff

<b>Connection Type</b>	O-SEAL® Union Thread
<b>Connection Size</b>	1/4"
<b>Body Material</b>	Naval Brass, ASTM B21, UNS C46400
<b>Bonnet Material</b>	Naval Brass, ASTM B21, UNS C46400
<b>CRN</b>	0C16868.2

## OPTIONS

<b>Port &amp; Vent Options</b>	[-PA] Port Above Seat (1/8" NPT), [-PB] Port Below Seat (1/8" NPT), '[-VA] Vent Above Seat (3/8"-24 SAE), [-VB] Vent Below Seat (3/8"-24 SAE),
--------------------------------	--

cpvmfg.com | 484.731.4010

The complete catalog contents must be reviewed to ensure that the system designer and user make a safe product selection. When selecting products, the total system design must be considered to ensure safe, trouble-free performance. Function, material compatibility, adequate ratings, proper installation, operation, and maintenance are the responsibilities of the system designer and user. Caution: Do not mix or interchange valve components with those of other manufacturers.