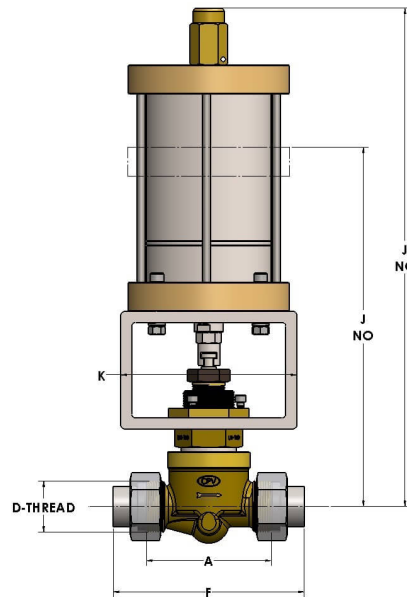




Product Category
Product Line
Part Description

1380-4-P-OXNB-VC-NO
FloMaster® Actuated OXNB Shutoff Valve (1300 Series)
3/4" Globe Shutoff Oxygen Actuated Valve, Normally Open



DIMENSIONS

| | |
|-------------------|-------------|
| Port Dia. | 0.63 |
| A | 4.630 |
| CRN | 0C16868.2 |
| D-THREAD | 2.000"-12UN |
| F | 6.88 |
| J (Normally Open) | 13.38 |
| K | 8 |

GENERAL

| | |
|---------------------|---------------------------------|
| Pressure Rating | 4500 PSI |
| Temperature Range | -15°F to 400°F (-26°C to 204°C) |
| Standard Soft Goods | [-C] Viton® Packing & O-Rings |
| Cartridge Type | Shutoff |

| | |
|------------------------|-----------------------------------|
| Connection Type | O-SEAL® Union Thread |
| Connection Size | 3/4" |
| Body Material | Naval Brass, ASTM B21, UNS C46400 |
| Bonnet Material | Naval Brass, ASTM B21, UNS C46400 |
| CRN | 0C16868.2 |

OPTIONS

| | |
|--------------------------------|--|
| Port & Vent Options | [-PA] Port Above Seat (1/4" NPT), [-PB] Port Below Seat (1/4" NPT), '[-VA] Vent Above Seat (1/2"-13 SAE), [-VB] Vent Below Seat (1/2"-13 SAE), |
|--------------------------------|--|

cpvmfg.com | 484.731.4010

The complete catalog contents must be reviewed to ensure that the system designer and user make a safe product selection. When selecting products, the total system design must be considered to ensure safe, trouble-free performance. Function, material compatibility, adequate ratings, proper installation, operation, and maintenance are the responsibilities of the system designer and user. Caution: Do not mix or interchange valve components with those of other manufacturers.