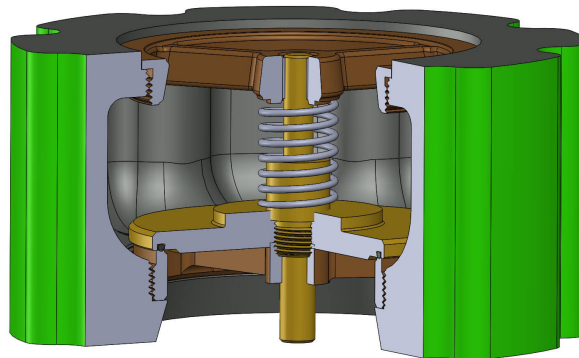




**Product Category** 13D-B-SS-R  
**Product Line** Cast Iron & Bronze Flanged Check Valves (10D, 11D, 12D, 13D, 20D, 21D)  
**Part Description** CLASS 300 Flange Style Silent Check Valve with Bronze Body and Stainless Steel Trim



## DIMENSIONS

Face to Face	2.88
Dia. of Bolt Circle	5.88
Dia. of Flange	7.50
No. of Studs	8
Dia. of Studs	0.75
Length of Studs	7.00
Weight (lbs.)	13

## GENERAL

Pressure Rating	up to 750 PSI
Temperature Range	-30°F to 250°F (-34°C to 121°C)
Standard Soft Goods	Buna-N O-Rings
Cartridge Type	Check
Connection Type	ANSI B16.5 Flange
Connection Size	2.5"
Body Material	Valve Bronze, ASTM B61, UNS C92200

## OPTIONS

Port & Vent Options	[-DP] Drain Plug Above Seat (3/8" NPT)
---------------------	--

The complete catalog contents must be reviewed to ensure that the system designer and user make a safe product selection. When selecting products, the total system design must be considered to ensure safe, trouble-free performance. Function, material compatibility, adequate ratings, proper installation, operation, and maintenance are the responsibilities of the system designer and user. Caution: Do not mix or interchange valve components with those of other manufacturers.