



Product Category

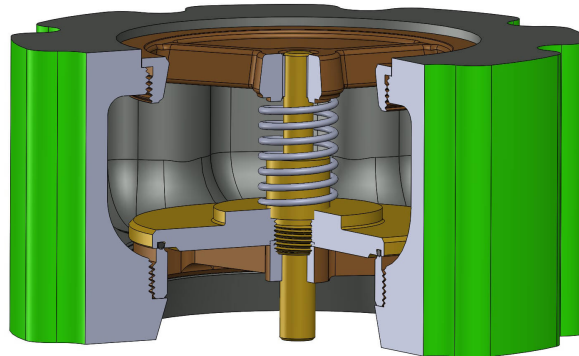
13D-D-B-R

Product Line

Cast Iron & Bronze Flanged Check Valves (10D, 11D, 12D, 13D, 20D, 21D)

Part Description

CLASS 300 Flange Style Silent Check Valve with Bronze Body and Bronze Trim



## DIMENSIONS

Face to Face	4
Dia. of Bolt Circle	7.88
Dia. of Flange	10.00
No. of Studs	8
Dia. of Studs	0.75
Length of Studs	9.50
Weight (lbs.)	28

## GENERAL

Pressure Rating	up to 750 PSI
Temperature Range	-30°F to 250°F (-34°C to 121°C)
Standard Soft Goods	Buna-N O-Rings
Cartridge Type	Check
Connection Type	ANSI B16.5 Flange
Connection Size	4"
Body Material	Valve Bronze, ASTM B61, UNS C92200

## OPTIONS

Port & Vent Options	[-DP] Drain Plug Above Seat (1/2" NPT)
---------------------	--

The complete catalog contents must be reviewed to ensure that the system designer and user make a safe product selection. When selecting products, the total system design must be considered to ensure safe, trouble-free performance. Function, material compatibility, adequate ratings, proper installation, operation, and maintenance are the responsibilities of the system designer and user. Caution: Do not mix or interchange valve components with those of other manufacturers.