



Product Category

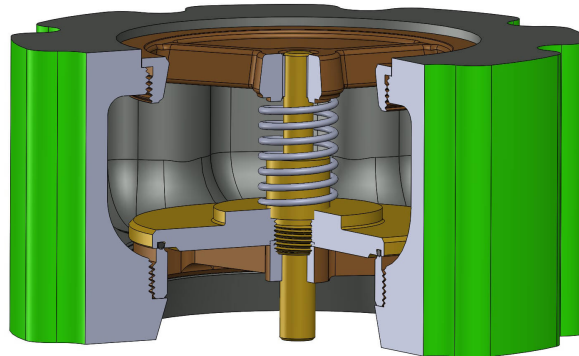
13D-F-B-R

Product Line

Cast Iron & Bronze Flanged Check Valves (10D, 11D, 12D, 13D, 20D, 21D)

Part Description

CLASS 300 Flange Style Silent Check Valve with Bronze Body and Bronze Trim



DIMENSIONS

| | |
|---------------------|-------|
| Face to Face | 5.5 |
| Dia. of Bolt Circle | 10.63 |
| Dia. of Flange | 12.50 |
| No. of Studs | 12 |
| Dia. of Studs | 0.75 |
| Length of Studs | 11.50 |
| Weight (lbs.) | 86 |

GENERAL

| | |
|---------------------|------------------------------------|
| Pressure Rating | up to 750 PSI |
| Temperature Range | -30°F to 250°F (-34°C to 121°C) |
| Standard Soft Goods | Buna-N O-Rings |
| Cartridge Type | Check |
| Connection Type | ANSI B16.5 Flange |
| Connection Size | 6" |
| Body Material | Valve Bronze, ASTM B61, UNS C92200 |

OPTIONS

| | |
|---------------------|--|
| Port & Vent Options | [-DP] Drain Plug Above Seat (3/4" NPT) |
|---------------------|--|

The complete catalog contents must be reviewed to ensure that the system designer and user make a safe product selection. When selecting products, the total system design must be considered to ensure safe, trouble-free performance. Function, material compatibility, adequate ratings, proper installation, operation, and maintenance are the responsibilities of the system designer and user. Caution: Do not mix or interchange valve components with those of other manufacturers.