



Product Category

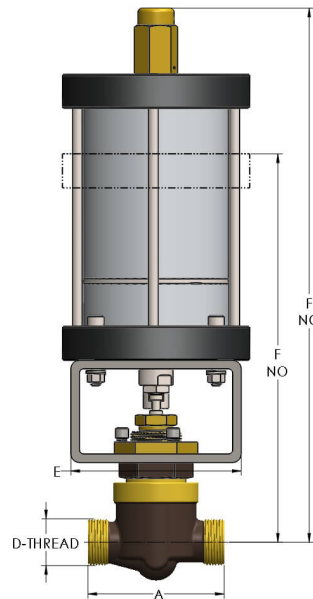
1480-1-NC

Product Line

FloMaster® Actuated O-SEAL® Needle Valve (1400 Series)

Part Description

1/4" Globe Needle Actuated Valve, O-SEAL® Ends, Normally Closed



DIMENSIONS

Port Dia.	0.31
A	3.380
CRN	0C17716.2
D-THREAD	1.188"-12UN
E	4.00
F (Normally Closed)	13.44

GENERAL

Pressure Rating	6000 PSI
Temperature Range	-15°F to 400°F (-26°C to 204°C)
Standard Soft Goods	[-G] Polyurethane® Packing and Viton® O-Rings
Cartridge Type	Needle
Connection Type	O-SEAL® Union Thread

Connection Size	1/4"
Body Material	Nickel Aluminum Bronze, ASTM B148, UNS C95800
Bonnet Material	Nickel Aluminum Bronze, ASTM B150, UNS C63200
CRN	0C17716.2

OPTIONS

[-VC] Vacuum Service	Option to add additional softgoods for internal vacuum service.
Port & Vent Options	[-PA] Port Above Seat (1/8" NPT), [-PB] Port Below Seat (1/8" NPT), '[-VA] Vent Above Seat (3/8"-24 SAE), [-VB] Vent Below Seat (3/8"-24 SAE),
Optional Soft Goods	[-B] Polyurethane® Packing and Buna-N O-Rings, [-C] Viton® Packing & O-Rings, [-D] EPDM Packing & O-Rings

cpvmfg.com | 484.731.4010

The complete catalog contents must be reviewed to ensure that the system designer and user make a safe product selection. When selecting products, the total system design must be considered to ensure safe, trouble-free performance. Function, material compatibility, adequate ratings, proper installation, operation, and maintenance are the responsibilities of the system designer and user. Caution: Do not mix or interchange valve components with those of other manufacturers.