



Product Category

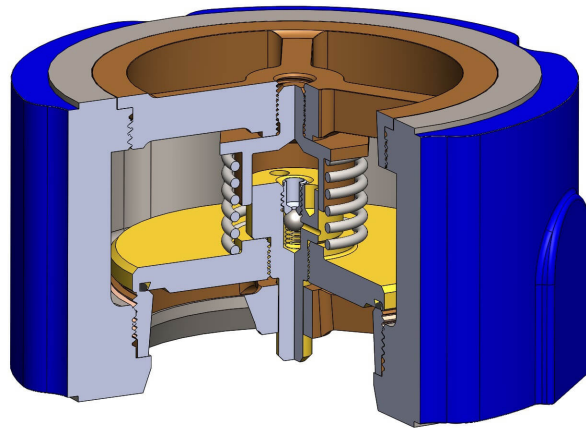
15D-B-B-R

Product Line

Air Check Valves (14D, 15D, 16D, 17D, 125D, 126D)

Part Description

CLASS 250 Flange Style Silent Air Check Valve with Cast Iron Body and Bronze Trim



## DIMENSIONS

Face to Face	2.88
Dia. of Bolt Circle	5.88
Dia. of Flange	7.50
No. of Studs	8
Dia. of Studs	0.75
Length of Studs	8.00
Weight (lbs.)	12

## GENERAL

Pressure Rating	up to 500 PSI
Temperature Range	-30°F to 250°F (-34°C to 121°C)
Standard Soft Goods	Buna-N O-Rings
Cartridge Type	Air Check
Connection Type	ANSI B16.5 Flange
Connection Size	2.5"
Body Material	Cast Iron, ASTM A126, CL. B

## OPTIONS

**Port & Vent Options**

[-DP] Drain Plug Above Seat (3/8" NPT)

**Optional Soft Goods**

Viton® O-Rings, EPDM O-Rings

[cpvmfg.com](http://cpvmfg.com) | 484.731.4010

The complete catalog contents must be reviewed to ensure that the system designer and user make a safe product selection. When selecting products, the total system design must be considered to ensure safe, trouble-free performance. Function, material compatibility, adequate ratings, proper installation, operation, and maintenance are the responsibilities of the system designer and user. Caution: Do not mix or interchange valve components with those of other manufacturers.