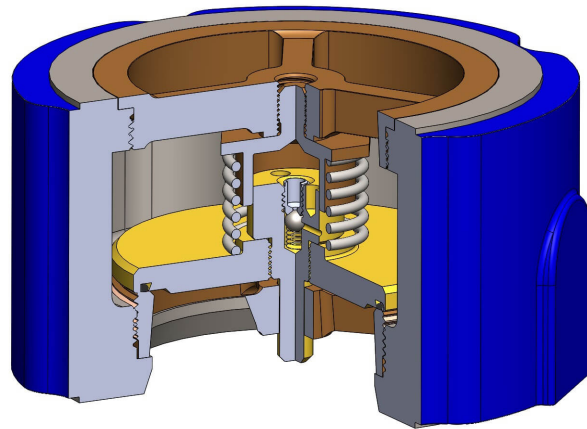




Product 15D-E-SS-R
Category
Product Line Air Check Valves (14D, 15D, 16D, 17D, 125D, 126D)
Part Description CLASS 250 Flange Style Silent Air Check Valve with Cast Iron Body and Stainless Steel Trim



DIMENSIONS

| | |
|---------------------|-------|
| Face to Face | 4.63 |
| Dia. of Bolt Circle | 9.25 |
| Dia. of Flange | 11.00 |
| No. of Studs | 8 |
| Dia. of Studs | 0.75 |
| Length of Studs | 10.50 |
| Weight (lbs.) | 40 |

GENERAL

| | |
|---------------------|---------------------------------|
| Pressure Rating | up to 500 PSI |
| Temperature Range | -30°F to 250°F (-34°C to 121°C) |
| Standard Soft Goods | Buna-N O-Rings |
| Cartridge Type | Air Check |
| Connection Type | ANSI B16.5 Flange |
| Connection Size | 5" |

Body Material

Cast Iron, ASTM A126, CL. B

OPTIONS

Port & Vent Options

[-DP] Drain Plug Above Seat (3/4" NPT)

Optional Soft Goods

Viton® O-Rings, EPDM O-Rings

cpvmfg.com | 484.731.4010

The complete catalog contents must be reviewed to ensure that the system designer and user make a safe product selection. When selecting products, the total system design must be considered to ensure safe, trouble-free performance. Function, material compatibility, adequate ratings, proper installation, operation, and maintenance are the responsibilities of the system designer and user. Caution: Do not mix or interchange valve components with those of other manufacturers.