



Product Category

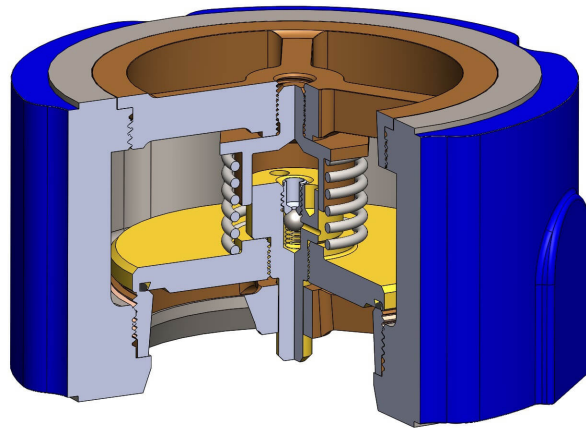
17D-D-B-R

Product Line

Air Check Valves (14D, 15D, 16D, 17D, 125D, 126D)

Part Description

CLASS 300 Flange Style Silent Air Check Valve with Bronze Body and Bronze Trim



## DIMENSIONS

Face to Face	4
Dia. of Bolt Circle	7.88
Dia. of Flange	10.00
No. of Studs	8
Dia. of Studs	0.75
Length of Studs	9.50
Weight (lbs.)	24

## GENERAL

Pressure Rating	up to 750 PSI
Temperature Range	-30°F to 250°F (-34°C to 121°C)
Standard Soft Goods	Buna-N O-Rings
Cartridge Type	Air Check
Connection Type	ANSI B16.5 Flange
Connection Size	4"
Body Material	Valve Bronze, ASTM B61, UNS C92200

## OPTIONS

**Port & Vent Options**

[-DP] Drain Plug Above Seat (1/2" NPT)

**Optional Soft Goods**

Viton® O-Rings, EPDM O-Rings

[cpvmfg.com](http://cpvmfg.com) | 484.731.4010

The complete catalog contents must be reviewed to ensure that the system designer and user make a safe product selection. When selecting products, the total system design must be considered to ensure safe, trouble-free performance. Function, material compatibility, adequate ratings, proper installation, operation, and maintenance are the responsibilities of the system designer and user. Caution: Do not mix or interchange valve components with those of other manufacturers.