



Product Category

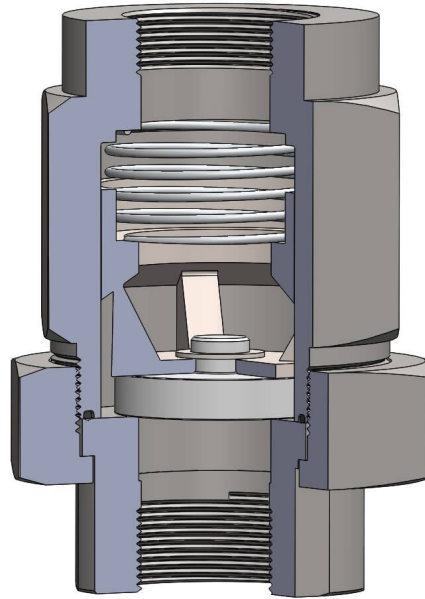
34-8

Product Line

NPT Threaded Check Valves (34, 36, 37 Series)

Part Description

Steel Body In-line Silent Check Valve with Female Pipe Thread (NPT) Ends



DIMENSIONS

End to End	6.19
Female Inlet and Outlet (NPT)	2.000"-11.5
Weight (lbs.)	13.5

GENERAL

Pressure Rating	300 PSI
Temperature Range	-30°F to 250°F (-34°C to 121°C)
Standard Soft Goods	Buna-N O-Rings and Nylon Disc
Cartridge Type	Check
Connection Type	Female Pipe Thread (NPT)
Connection Size	2.00"
Body Material	Carbon Steel, ASTM A36/A311, UNS K02600/G10180



OPTIONS

Optional Soft Goods

Viton® O-Rings, EPDM O-Rings