

Product Category

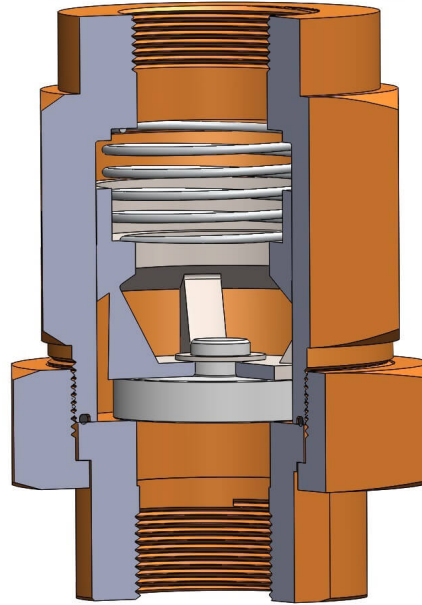
36-3

Product Line

NPT Threaded Check Valves (34, 36, 37 Series)

Part Description

Bronze Body In-line Silent Check Valve with Female Pipe Thread (NPT) Ends



## DIMENSIONS

End to End	3.94
Female Inlet and Outlet (NPT)	1/2"-14
Weight (lbs.)	2

## GENERAL

Pressure Rating	300 PSI
Temperature Range	-30°F to 250°F (-34°C to 121°C)
Standard Soft Goods	Buna-N O-Rings and Nylon Disc
Cartridge Type	Check
Connection Type	Female Pipe Thread (NPT)
Connection Size	1/2"
Body Material	Valve Bronze, ASTM B61, UNS C92200



## OPTIONS

**Optional Soft Goods**

Viton® O-Rings, EPDM O-Rings