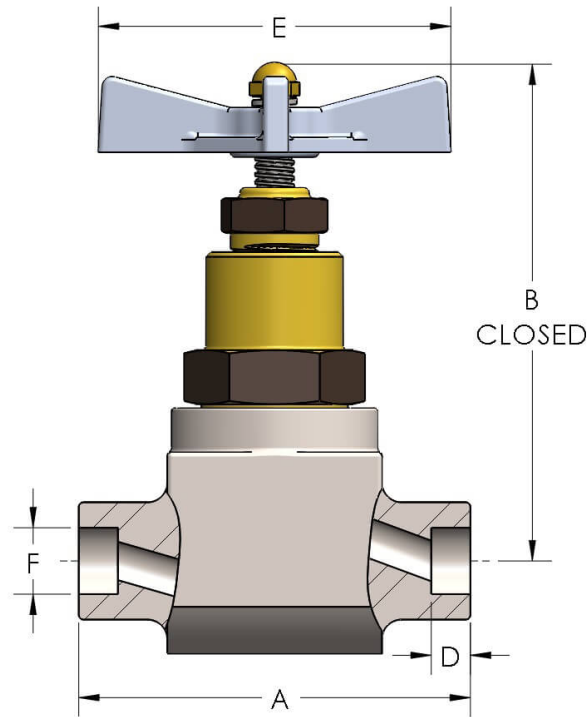




Product Category  
Product Line  
Part Description

370-4  
O-SEAL® Shutoff Valves (300 Series)  
3/4" Globe Shutoff Valve with Welded Ends



## DIMENSIONS

|               |       |
|---------------|-------|
| Port Dia.     | 0.63  |
| A             | 5.380 |
| B             | 6.25  |
| D             | 0.560 |
| E             | 5.25  |
| F (Pipe Size) | 1.065 |
| F (Tube Size) | 1.002 |
| Lift          | 0.56  |

## GENERAL

|                 |          |
|-----------------|----------|
| Pressure Rating | 6000 PSI |
|-----------------|----------|

|                            |   |
|----------------------------|---|
| <b>Temperature Range</b>   | -15°F to 275°F (-26°C to 135°C)               |
| <b>Standard Soft Goods</b> | [-G] Polyurethane® Packing and Viton® O-Rings |
| <b>Cartridge Type</b>      | Shutoff                                       |
| <b>Connection Type</b>     | Socketweld                                    |
| <b>Connection Size</b>     | 3/4"  |
| <b>Body Material</b>       | 316/L Stainless Steel, ASTM A276, UNS S31603  |
| <b>Bonnet Material</b>     | Nickel Aluminum Bronze, ASTM B150, UNS C63200 |

## OPTIONS

|                                |  |
|--------------------------------|--|
| <b>[-VC] Vacuum Service</b>    | Option to add additional softgoods for internal vacuum service.  |
| <b>[-P] Panel Mount</b>        | Option to add external thread and panel mounting nut to bonnet   |
| <b>Port &amp; Vent Options</b> | [-PA] Port Above Seat (1/4" NPT), [-PB] Port Below Seat (1/4" NPT), '[-VA] Vent Above Seat (1/2"-13 SAE), [-VB] Vent Below Seat (1/2"-13 SAE), |
| <b>Optional Soft Goods</b>     | [-B] Polyurethane® Packing and Buna-N O-Rings, [-C] Viton® Packing & O-Rings, [-D] EPDM Packing & O-Rings                                      |