



Product Category

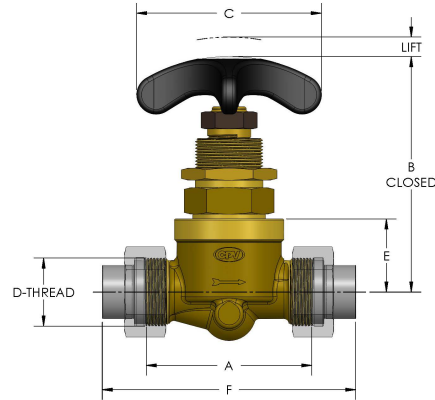
380-4-P-OXNB-VC

Product Line

OXNB Shutoff Valve (300 Series)

Part Description

3/4" Globe Shutoff Oxygen Hand Valve



### DIMENSIONS

Port Dia.	0.63
A	4.630
B	6.25
C	5.25
CRN	0C16868.2
D-THREAD	2.000"-12UN
E	2.81
F	6.88
Lift	0.56



## GENERAL

<b>Pressure Rating</b>	4500 PSI
<b>Temperature Range</b>	-15°F to 400°F (-26°C to 204°C)
<b>Standard Soft Goods</b>	[-C] Viton® Packing & O-Rings
<b>Cartridge Type</b>	Shutoff
<b>Connection Type</b>	O-SEAL® Union Thread
<b>Connection Size</b>	3/4"
<b>Body Material</b>	Naval Brass, ASTM B21, UNS C46400
<b>Bonnet Material</b>	Naval Brass, ASTM B21, UNS C46400
<b>CRN</b>	OC16868.2

## OPTIONS

<b>Port &amp; Vent Options</b>	[-PA] Port Above Seat (1/4" NPT), [-PB] Port Below Seat (1/4" NPT), '[-VA] Vent Above Seat (1/2"-13 SAE), [-VB] Vent Below Seat (1/2"-13 SAE),
--------------------------------	--