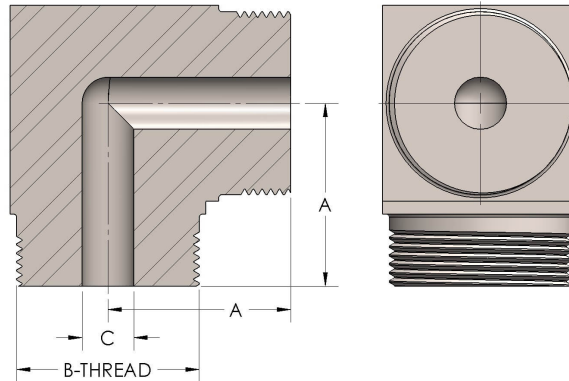




**Product Category**  
**Part Description**

41-8-SS316L  
Elbow 90°



## DIMENSIONS

<b>A</b>	3.250
<b>B-THREAD</b>	3.750" - 12UN
<b>C</b>	1.75

## GENERAL

<b>Pressure Rating</b>	6000 PSI
<b>Threadpiece Material</b>	316 Stainless Steel, ASTM A351, UNS J92900

cpvmfg.com | 484.731.4010

The complete catalog contents must be reviewed to ensure that the system designer and user make a safe product selection. When selecting products, the total system design must be considered to ensure safe, trouble-free performance. Function, material compatibility, adequate ratings, proper installation, operation, and maintenance are the responsibilities of the system designer and user. Caution: Do not mix or interchange valve components with those of other manufacturers.