

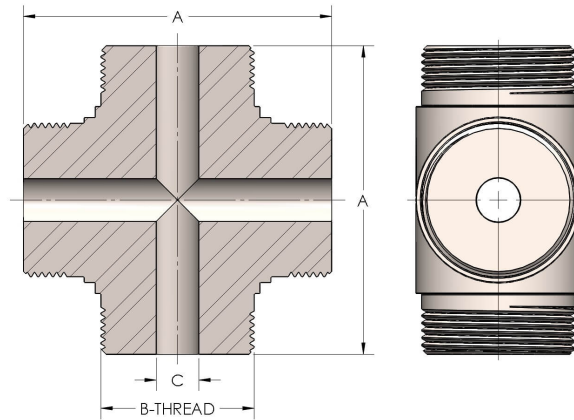


Product Category

43-8-S

Part Description

Cross



## DIMENSIONS

|          |               |
|----------|---------------|
| A        | 6.250         |
| B-THREAD | 3.750" - 12UN |
| C        | 1.75          |
| D        | 3.250         |

## GENERAL

|                      |                                  |
|----------------------|----------------------------------|
| Pressure Rating      | 6000 PSI                         |
| Threadpiece Material | Steel, ASTM A216-WCB, UNS J03002 |

The complete catalog contents must be reviewed to ensure that the system designer and user make a safe product selection. When selecting products, the total system design must be considered to ensure safe, trouble-free performance. Function, material compatibility, adequate ratings, proper installation, operation, and maintenance are the responsibilities of the system designer and user. Caution: Do not mix or interchange valve components with those of other manufacturers.