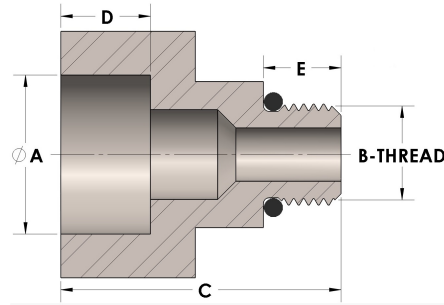


Product Category

45-1-08-S

Part Description

Direct Socketweld/Braze Pipe X Male Straight Thread Adapter



DIMENSIONS

| | |
|----------|-------------|
| A | 0.555 |
| B-THREAD | .750"-16UNF |
| C | 1.56 |
| D | 0.380 |
| E | 0.47 |

GENERAL

| | |
|------------------|----------------------------------------------------|
| Pressure Rating | 6000 PSI |
| O-Ring Material | Viton® Fluorocarbon Type 1, Class 2 (90 durometer) |
| Fitting Material | Carbon Steel, ASTM A108 |