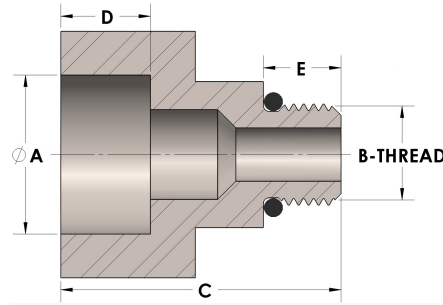


Product Category

45-1-10-SS316L

Part Description

Direct Socketweld/Braze Pipe X Male Straight Thread Adapter



## DIMENSIONS

A	0.555
B-THREAD	.875"-14UNF
C	1.63
D	0.380
E	0.53

## GENERAL

Pressure Rating	6000 PSI
O-Ring Material	Viton® Fluorocarbon Type 1, Class 2 (90 durometer)
Fitting Material	316/L Stainless Steel, ASTM A276, UNS S31600/03