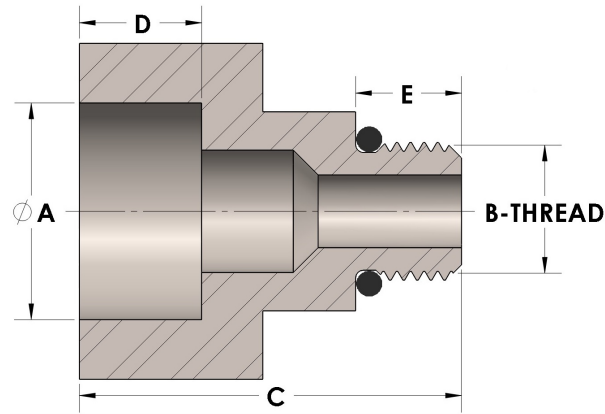




Product Category
Part Description

45-4-12-SS316L
Direct Socketweld/Braze Pipe X Male Straight Thread Adapter



DIMENSIONS

| | |
|----------|-------------|
| A | 1.065 |
| B-THREAD | 1.063"-12UN |
| C | 1.50 |
| D | 0.500 |
| E | 0.63 |

GENERAL

| | |
|------------------|--|
| Pressure Rating | 6000 PSI |
| O-Ring Material | Viton® Fluorocarbon Type 1, Class 2 (90 durometer) |
| Fitting Material | 316/L Stainless Steel, ASTM A276, UNS S31600/03 |

The complete catalog contents must be reviewed to ensure that the system designer and user make a safe product selection. When selecting products, the total system design must be considered to ensure safe, trouble-free performance. Function, material compatibility, adequate ratings, proper installation, operation, and maintenance are the responsibilities of the system designer and user. Caution: Do not mix or interchange valve components with those of other manufacturers.