

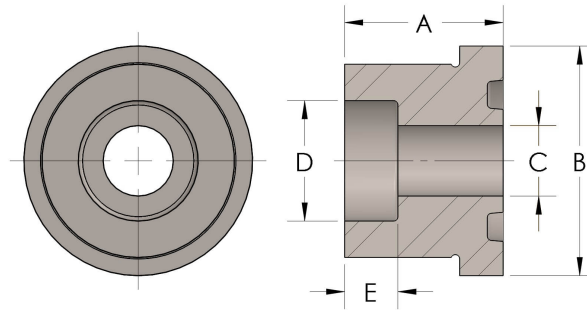


Product Category

Part Description

51R-4-CUNI

Socketweld Pipe



DIMENSIONS

A	1.130
B	1.88
C	0.63
CRN	0A16860.2
D	1.065
E	0.50

GENERAL

Pressure Rating	4500 PSI
Tailpiece Material	Copper Nickel 70/30, MIL-C--15726F, UNS C71500
O-Ring Material	Viton® Fluorocarbon Type 1, Class 2 (90 durometer)
CRN	0A16860.2

The complete catalog contents must be reviewed to ensure that the system designer and user make a safe product selection. When selecting products, the total system design must be considered to ensure safe, trouble-free performance. Function, material compatibility, adequate ratings, proper installation, operation, and maintenance are the responsibilities of the system designer and user. Caution: Do not mix or interchange valve components with those of other manufacturers.