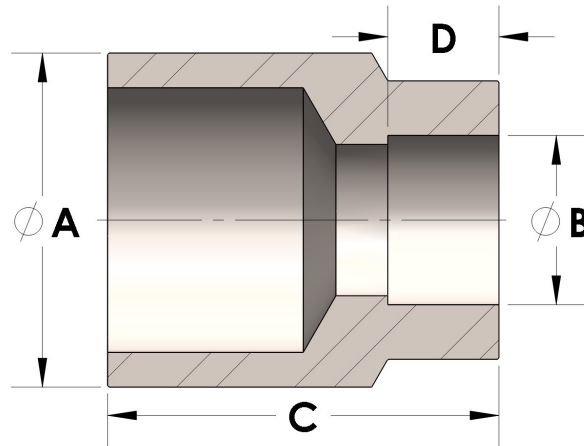




Product Category  
Part Description

57-6-4-M  
Direct Weld/Braze Insert (Male Pipe X Pipe SW)



## DIMENSIONS

A	1.660
B	1.07
C	1.94
D	0.560

## GENERAL

Pressure Rating	6000 PSI
Fitting Material	Monel®, ASTM B164, UNS N04405

The complete catalog contents must be reviewed to ensure that the system designer and user make a safe product selection. When selecting products, the total system design must be considered to ensure safe, trouble-free performance. Function, material compatibility, adequate ratings, proper installation, operation, and maintenance are the responsibilities of the system designer and user. Caution: Do not mix or interchange valve components with those of other manufacturers.