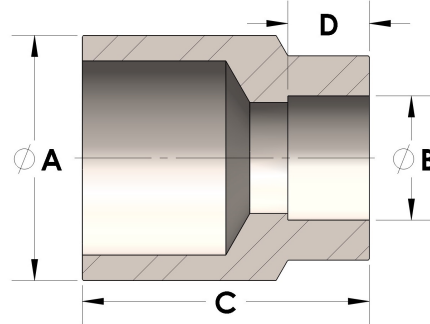


Product Category

57-7-5-SS316L

Part Description

Direct Weld/Braze Insert (Male Pipe X Pipe SW)



DIMENSIONS

| | |
|---|-------|
| A | 1.900 |
| B | 1.33 |
| C | 2.00 |
| D | 0.630 |

GENERAL

| | |
|------------------|---|
| Pressure Rating | 6000 PSI |
| Fitting Material | 316/L Stainless Steel, ASTM A276, UNS S31600/03 |