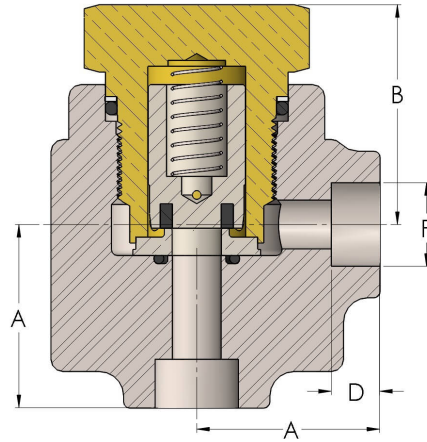


Product Category
Product Line
Part Description

671-3
O-SEAL® Check Valves (600 Series)
1/2" Angle Check Valve with Welded Ends



DIMENSIONS

| | |
|---------------|-------|
| Port Dia. | 0.5 |
| A | 1.880 |
| B | 2.69 |
| D | 0.500 |
| F (Pipe Size) | 0.855 |
| F (Tube Size) | 0.752 |

GENERAL

| | |
|---------------------|---|
| Pressure Rating | 6000 PSI |
| Temperature Range | -15°F to 275°F (-26°C to 135°C) |
| Standard Soft Goods | [-C] Viton® O-Rings |
| Cartridge Type | Check |
| Connection Type | Socketweld |
| Connection Size | 1/2" |
| Body Material | 316/L Stainless Steel, ASTM A276, UNS S31603 |
| Bonnet Material | Nickel Aluminum Bronze, ASTM B150, UNS C63200 |



OPTIONS

| | |
|--------------------------------|--|
| Port & Vent Options | [-PA] Port Above Seat (1/8" NPT), [-PB] Port Below Seat (1/8" NPT), '[-VA] Vent Above Seat (3/8"-24 SAE), [-VB] Vent Below Seat (3/8"-24 SAE), |
| Optional Soft Goods | [-B] Polyurethane® Packing and Buna-N O-Rings, [-C] Viton® Packing & O-Rings, [-D] EPDM Packing & O-Rings |