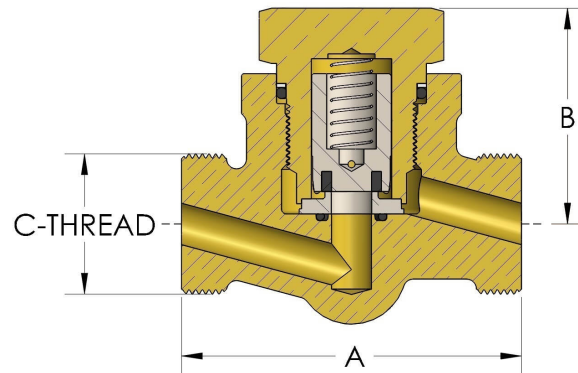




Product Category
Product Line
Part Description

680-8
O-SEAL® Check Valves (600 Series)
2.00" Globe Check Valve with O-SEAL® Ends



DIMENSIONS

| | |
|-----------|-------------|
| Port Dia. | 1.56 |
| A | 9.500 |
| B | 6.75 |
| CRN | 0C17716.2 |
| C-THREAD | 3.750"-12UN |

GENERAL

| | |
|---------------------|---|
| Pressure Rating | 6000 PSI |
| Temperature Range | -15°F to 275°F (-26°C to 135°C) |
| Standard Soft Goods | [-C] Viton® O-Rings |
| Cartridge Type | Check |
| Connection Type | O-SEAL® Union Thread |
| Connection Size | 2.00" |
| Body Material | Nickel Aluminum Bronze, ASTM B148, UNS C95800 |
| Bonnet Material | Nickel Aluminum Bronze, ASTM B148, UNS C95800 |
| CRN | 0C17716.2 |

OPTIONS

| | |
|--------------------------------|--|
| Port & Vent Options | [-PA] Port Above Seat (1/4" NPT), [-PB] Port Below Seat (1/4" NPT), '[-VA] Vent Above Seat (1/2"-13 SAE), [-VB] Vent Below Seat (1/2"-13 SAE), |
| Optional Soft Goods | [-B] Polyurethane® Packing and Buna-N O-Rings, [-C] Viton® Packing & O-Rings, [-D] EPDM Packing & O-Rings |

cpvmfg.com | 484.731.4010

The complete catalog contents must be reviewed to ensure that the system designer and user make a safe product selection. When selecting products, the total system design must be considered to ensure safe, trouble-free performance. Function, material compatibility, adequate ratings, proper installation, operation, and maintenance are the responsibilities of the system designer and user. Caution: Do not mix or interchange valve components with those of other manufacturers.