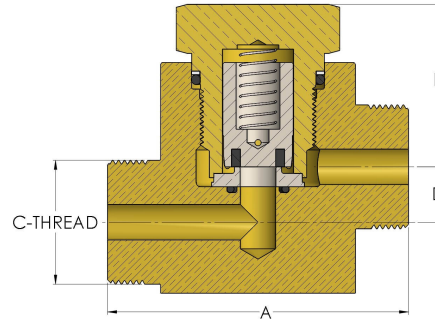


**Product Category**  
**Product Line**  
**Part Description**

682-2  
O-SEAL® Check Valves (600 Series)  
3/8" Offset Check Valve with O-SEAL® Ends



## DIMENSIONS

Port Dia.	0.44
A	4.000
B	2.38
C-THREAD	1.375"-12UNF
D	0.630

## GENERAL

Pressure Rating	6000 PSI
Temperature Range	-15°F to 275°F (-26°C to 135°C)
Standard Soft Goods	[-C] Viton® O-Rings
Cartridge Type	Check
Connection Type	O-SEAL® Union Thread
Connection Size	3/8"
Body Material	Nickel Aluminum Bronze, ASTM B150, UNS C63200
Bonnet Material	Nickel Aluminum Bronze, ASTM B150, UNS C63200



## OPTIONS

<b>Port &amp; Vent Options</b>	[-PA] Port Above Seat (1/8" NPT), [-PB] Port Below Seat (1/8" NPT), '[-VA] Vent Above Seat (3/8"-24 SAE), [-VB] Vent Below Seat (3/8"-24 SAE),
<b>Optional Soft Goods</b>	[-B] Polyurethane® Packing and Buna-N O-Rings, [-C] Viton® Packing & O-Rings, [-D] EPDM Packing & O-Rings