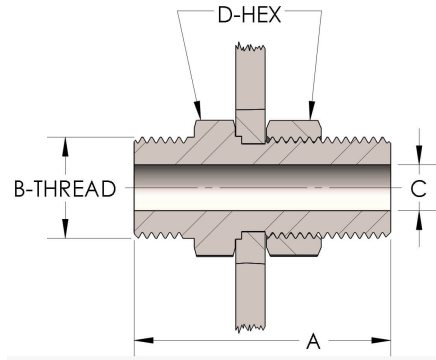


Product Category

89T-2-SS316L

Part Description

Bulkhead



## DIMENSIONS

<b>A</b>	2.440
<b>B-THREAD</b>	1.375" - 12UNF
<b>C</b>	0.44
<b>D-HEX</b>	1.75

## GENERAL

<b>Pressure Rating</b>	6000 PSI
<b>Threadpiece Material</b>	316/L Stainless Steel, ASTM A276, UNS S31600/03