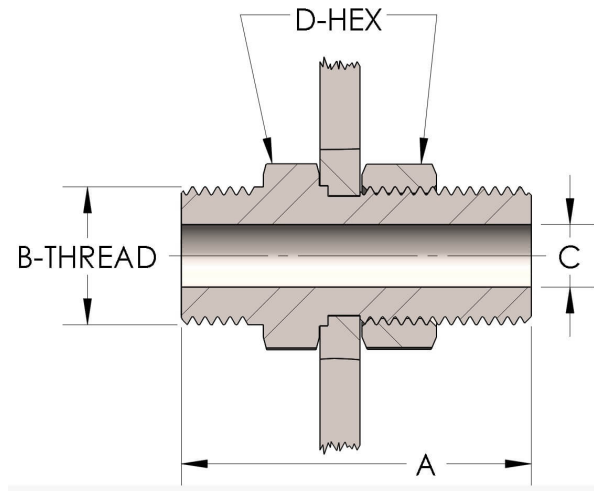




Product Category  
Part Description

89T-3-SS316L  
Bulkhead



## DIMENSIONS

|          |               |
|----------|---------------|
| A        | 2.440         |
| B-THREAD | 1.750" - 12UN |
| C        | 0.50          |
| D-HEX    | 2.13          |

## GENERAL

|                      |   |
|----------------------|---|
| Pressure Rating      | 6000 PSI  |
| Threadpiece Material | 316/L Stainless Steel, ASTM A276, UNS S31600/03 |

cpvmfg.com | 484.731.4010

The complete catalog contents must be reviewed to ensure that the system designer and user make a safe product selection. When selecting products, the total system design must be considered to ensure safe, trouble-free performance. Function, material compatibility, adequate ratings, proper installation, operation, and maintenance are the responsibilities of the system designer and user. Caution: Do not mix or interchange valve components with those of other manufacturers.