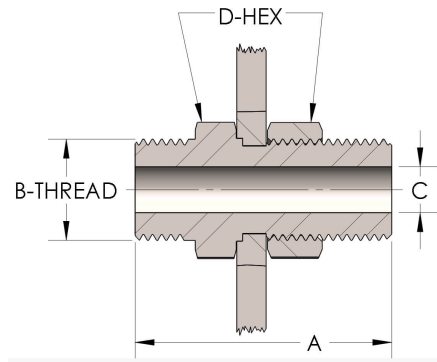


Product Category

89T-8-S

Part Description

Bulkhead



## DIMENSIONS

<b>A</b>	3.440
<b>B-THREAD</b>	3.750" - 12UN
<b>C</b>	1.75
<b>D-HEX</b>	4.25

## GENERAL

<b>Pressure Rating</b>	6000 PSI
<b>Threadpiece Material</b>	Carbon Steel, ASTM A108